



Magic 122kWh/143kWh Outdoor energy storage all-in-one Cabinet



Waterproof IP55



Wifi Real-time control



APP control

Product introduction

Magic 122/143kWh features a modular design, combining lithium iron phosphate batteries, racks, BMS, PCS, air-conditioning, temperature control, fire detection, and automatic extinguishing. It boasts safety, reliability, rapid deployment, cost-efficiency, high energy efficiency, and intelligent management.

Product Features



Exquisite craftsmanship
Higher specific energy,
more environmentally friendly.



Safe and reliable
Longer cycle life.



Integrated design
Convenient installation and
higher efficiency.



Smart and friendly
WiFi remote Monitoring



Remote Monitoring
Self-developed APP



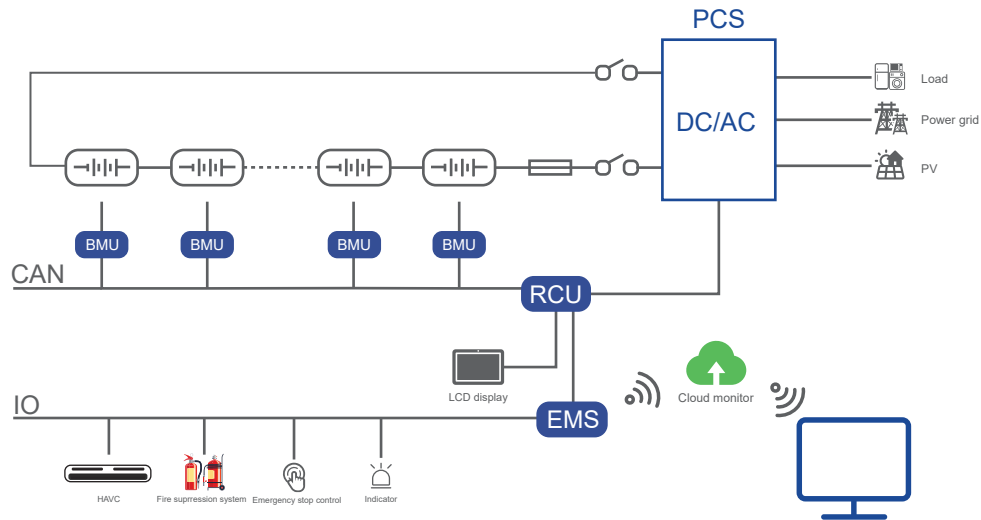
Smart BMS
high power



Full Bracket Design
Full space for each
cell's best performance

122kWh/143kWh Energy Storage Battery

Outdoor energy storage all-in-one Cabinet

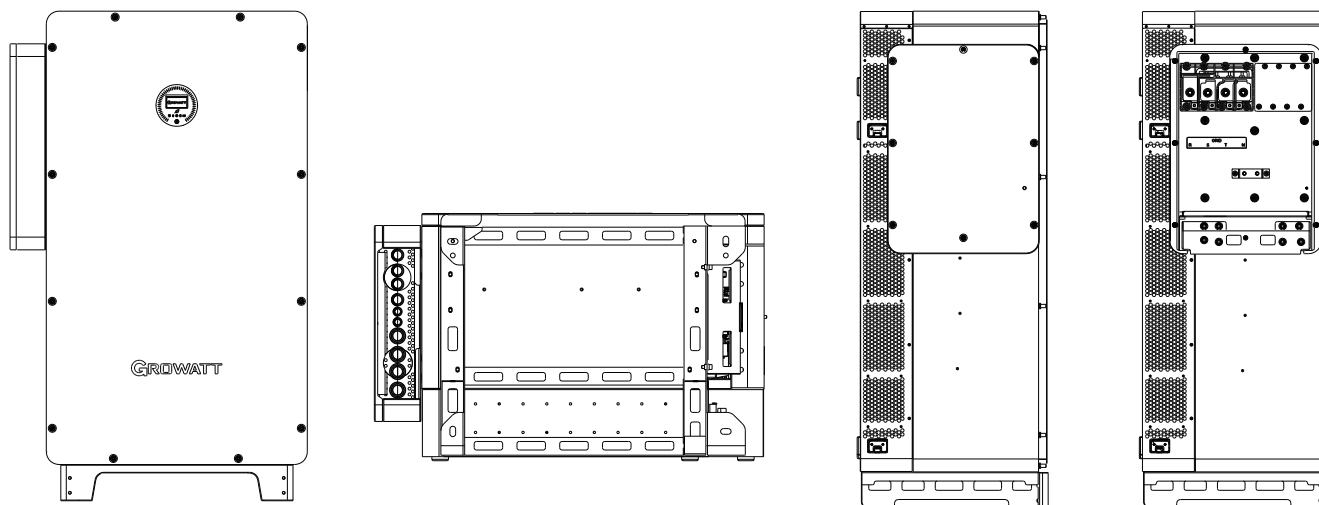


Function Parameters

Model No.	Magic 122-100	Magic 143-100
Nominal Energy	122.8KWH	143.2KWH
Nominal Voltage	614V	716V
Nominal Capacity	200Ah	200Ah
Cell Type	LFP	LFP
Standard Charge Voltage	691V	806V
Max Charge Current	200A	200A
Discharge Cut-Off Voltage	537V	627V
Max Discharge Current	200A	200A
Maximum working altitude	≤2000m	
Working humidity range	5-85%RH (no condensation)	
Cooling method	Air cooling	
Cycle Life *	25±2°C/0.2C/80% DOD≥7000	
Range of working temperature	-10 ~ 60°C	
Fire Fighting System	Aerosol	
Certification	Cell:UL1642 / IEC62619 / CE / ROHS / MSDS / UN38.3	
Weight	≈1.2T	≈1.4T
Dimensions	2000*1082*1676.5mm	
Battery system	BMS management system, fire protection system, air-cooled unit, cabinet, PCS system	

122kWh/143kWh Energy Storage Battery

Outdoor energy storage all-in-one Cabinet



PCS Parameter

Model

WIT100K-A

Battery data(DC)

Continuous charging/discharging power

113500W

Battery voltage range

600-1000V(for3P3W)/680-1000V(for3P4W)

Max.charging and discharging current)

167A

Output data(AC)

Rated AC output power

100000W

Max.AC apparent power

110000VA

Nominal AC voltage

220V/230V/240V(L-N) 380V/400V/415V(L-L)

AC grid frequency

50/60 Hz

Protection devices

PV reverse polarity protection)

Yes

DC surge protection

Yes (Type II)

Insulation resistance monitoring

Yes

RCD detection

Yes

AC short-circuit protection

Yes

AC surge protection

Yes (Type II)

Ground fault monitoring

Yes

Grid monitoring

Yes

*More detailed information please refer to the inverter datasheet.